

## SQX 12 EXTREME

### Speaker Specifications

Power	Pe	<b>750/1125</b>	RMS/Nom
DC resistance	Rdc	<b>1,9</b>	$\Omega$
Nominal impedance	ZN	<b>2</b>	$\Omega$
Resonance frequency	fs	<b>30</b>	HZ
Voice coil diameter		<b>3</b>	inch
Xmax	+ -	<b>14</b>	mm

Mechanical Q factor	Qms	<b>5,52</b>
Electrical Q factor	Qes	<b>0,34</b>
Total Q factor	Qts	<b>0,32</b>

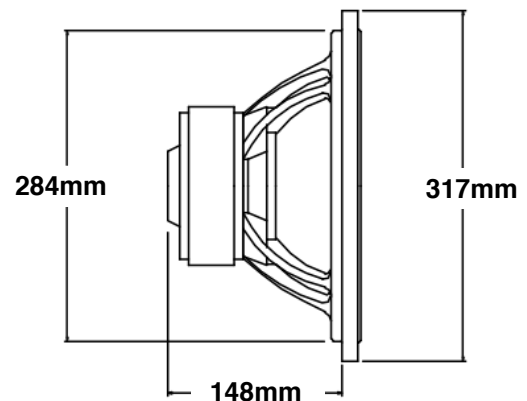
Moving mass	Mms	<b>205</b>	g
Effective piston area	Sd	<b>490</b>	cm <sup>2</sup>
Mechanical resistance	Rms	<b>7,5</b>	Kg/s
Compliance	Cms	<b>0,14</b>	mm/N
Force factor	BL	<b>14</b>	Tm
Equivalent air volume	Vas	<b>48</b>	dm <sup>3</sup>
SPL 2,83V/1m		<b>93,5</b>	dB

Cone: Paper	Spider: Nomex
Surround: Foam	Coil former: Aluminium
Basket: Aluminium	Dust cap: PP



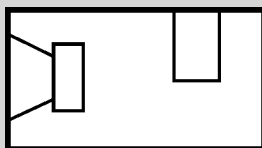
### Diameter

External diameter	<b>317 mm / 12,48 inch</b>
Installation diameter	<b>284 mm / 11,18 inch</b>
Installation depth	<b>148 mm / 5,82 inch</b>
Magnet diameter	<b>185 mm / 7,28 inch</b>



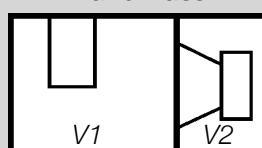
### Recommended Boxes (including Ports and Drivers)

#### Vented Box



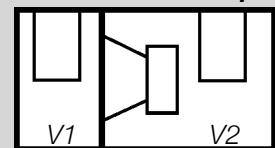
V: <b>50 l</b>	V: <b>65 l</b>
Ft: 43 Hz	Ft: 43 Hz
d: 100 mm / 3,94 inch	d: 2 x 100 mm / 3,94 mm inch
l: 200 mm / 7,87 inch	l: 300 mm / 11,81 inch

#### Band Pass



V1: <b>40 l</b>	V2: <b>25 l</b>
Fm: 60 Hz	
d: 2 x 100 mm / 3,94 inch	
l: 250 mm / 9,84 inch	

#### Double Vented Bandpass



V1: <b>25 l</b>	V2: <b>52 l</b>
F1: 75 Hz	F2: 47 Hz
d: 2 x 100 mm / 3,94 inch	d: 100 mm / 3,94 inch
l: 300 mm / 11,81 inch	l: 300 mm / 11,81 inch