

## RS 10

### Speaker Specifications

Power	Pe	<b>250 / 375</b>	RMS/Nom
DC resistance	Rdc	<b>3,5</b>	Ω
Nominal impedance	ZN	<b>4</b>	Ω
Resonance frequency	fs	<b>31,2</b>	HZ
Voice coil diameter		<b>2</b>	inch

Mechanical Q factor	Qms	<b>5,64</b>
Electrical Q factor	Qes	<b>0,35</b>
Total Q factor	Qts	<b>0,33</b>

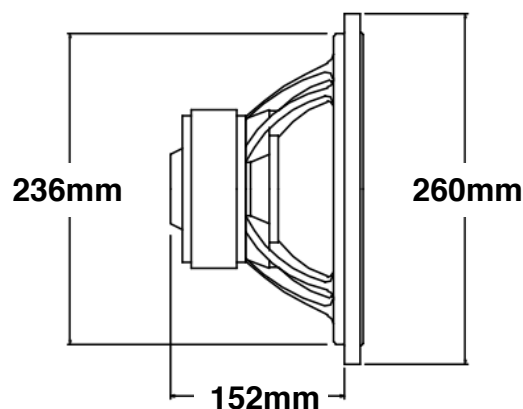
Moving mass	Mms	<b>96,4</b>	g
Effective piston area	Sd	<b>366</b>	cm <sup>2</sup>
Mechanical resistance	Rms	<b>5,1</b>	Kg/s
Compliance	Cms	<b>0,25</b>	mm/N
Force factor	BL	<b>14,1</b>	Tm
Equivalent air volume	Vas	<b>51,0</b>	dm <sup>3</sup>
SPL 2,83V/1m		<b>91,5</b>	dB

Cone: Paper	Spider: Nomex
Surround: Rubber	Coil former: Aluminium
Basket: Aluminium	Dust cap: Fiberglass



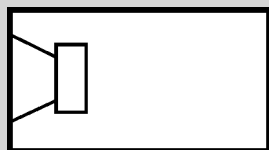
### Diameter

External diameter	<b>260 mm / 10,24 inch</b>
Installation diameter	<b>236 mm / 9,29 inch</b>
Installation depth	<b>152 mm / 5,98 inch</b>
Magnet diameter	<b>147 mm / 5,79 inch</b>



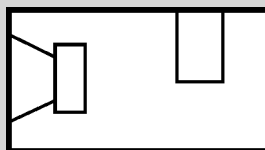
### Recommended Boxes (including Ports and Drivers)

#### Sealed Box



V: **22 l**

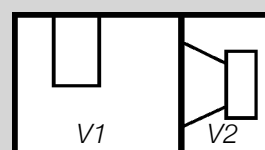
#### Vented Box



V: **32 l**

d: 100 mm / 4,92 inch  
l: 200 / 7,87 mm / inch

#### Band Pass



V1: **20 l** V2: **14 l**

d: 100 mm / 4,92 inch  
l: 200 mm / 7,87 inch