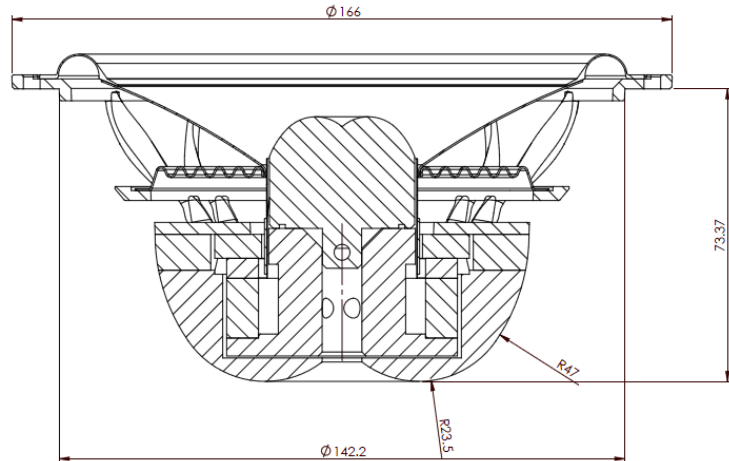


AEROSPACE 165 PP

Specifications:

Name		HG-165AeroPP-3
DC resistance	Rdc	2,7 Ω
Nominal impedance	ZN	3 Ω
Resonance frequency	fs	49,5 HZ
Voice coil diameter		37 mm
Mechanical Q factor	Qms	7,3
Electrical Q factor	Qes	0,6
Total Q factor	Qts	0,55
Moving mass Mms		14 g
Effective piston area	Sd	135 cm²
Mechanical resistance	Rms	0,63 Kg/s
Compliance	Cms	0,71mm/N
Force factor	BL	4,5 Tm
Equivalent air volume	Vas	18 dm³
Efficiency	η	0,35 %
SPL 2,83V/1m		92,2 dB



Cone: **GLADEN C7**
 Spider: **Connex**
 Surround: **SBR**
 Coil former: **Fibreglass**
 Basket: **Aluminum**
 Phase Plug: **Aluminum**

